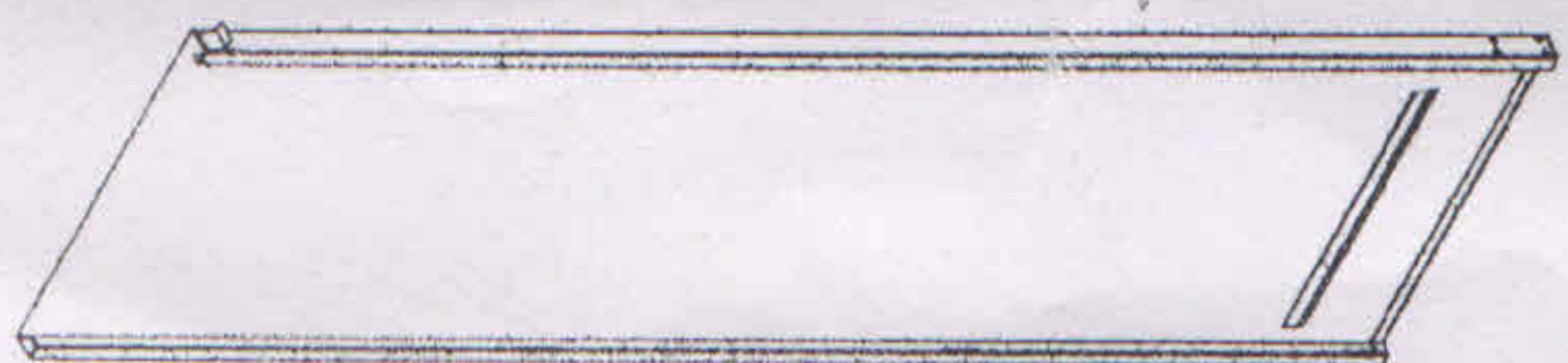
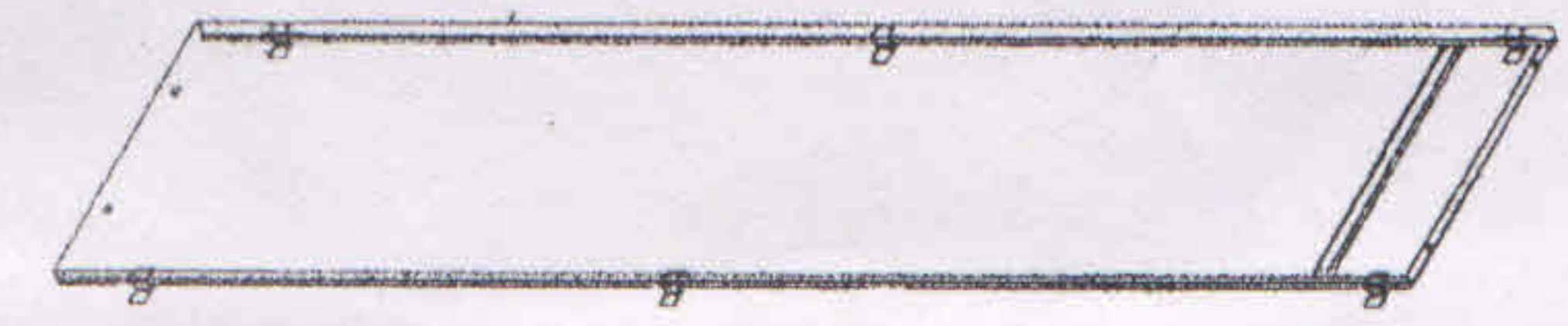




A x1



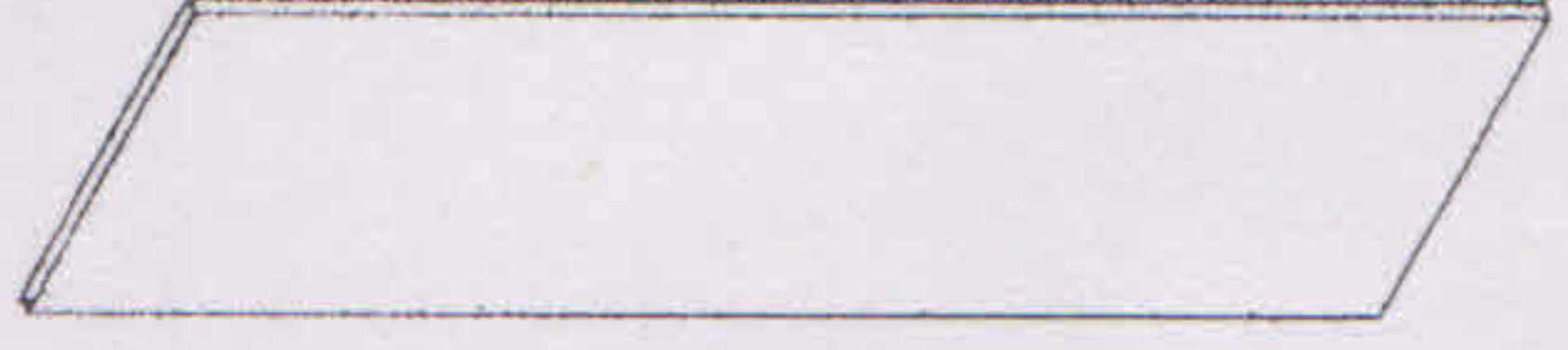
B x1



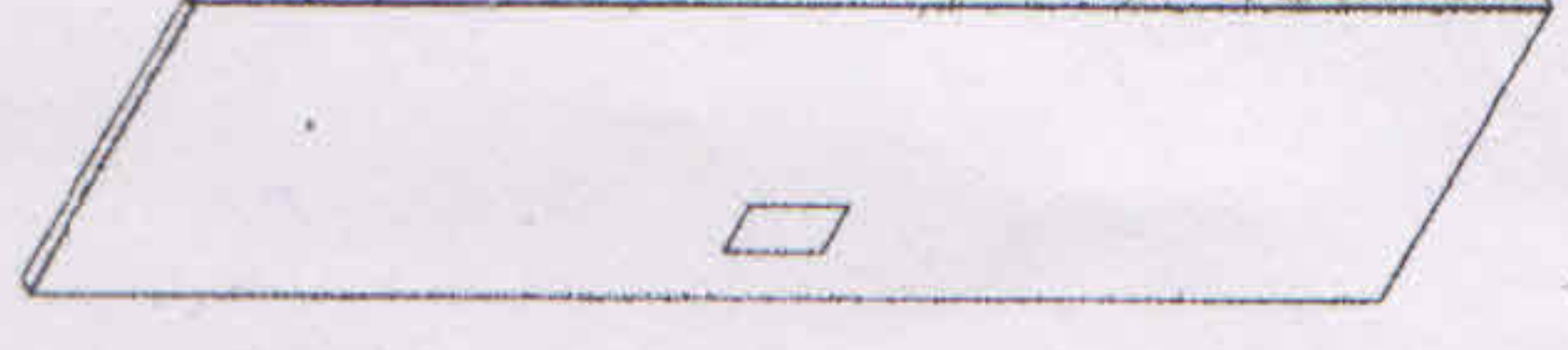
C x1



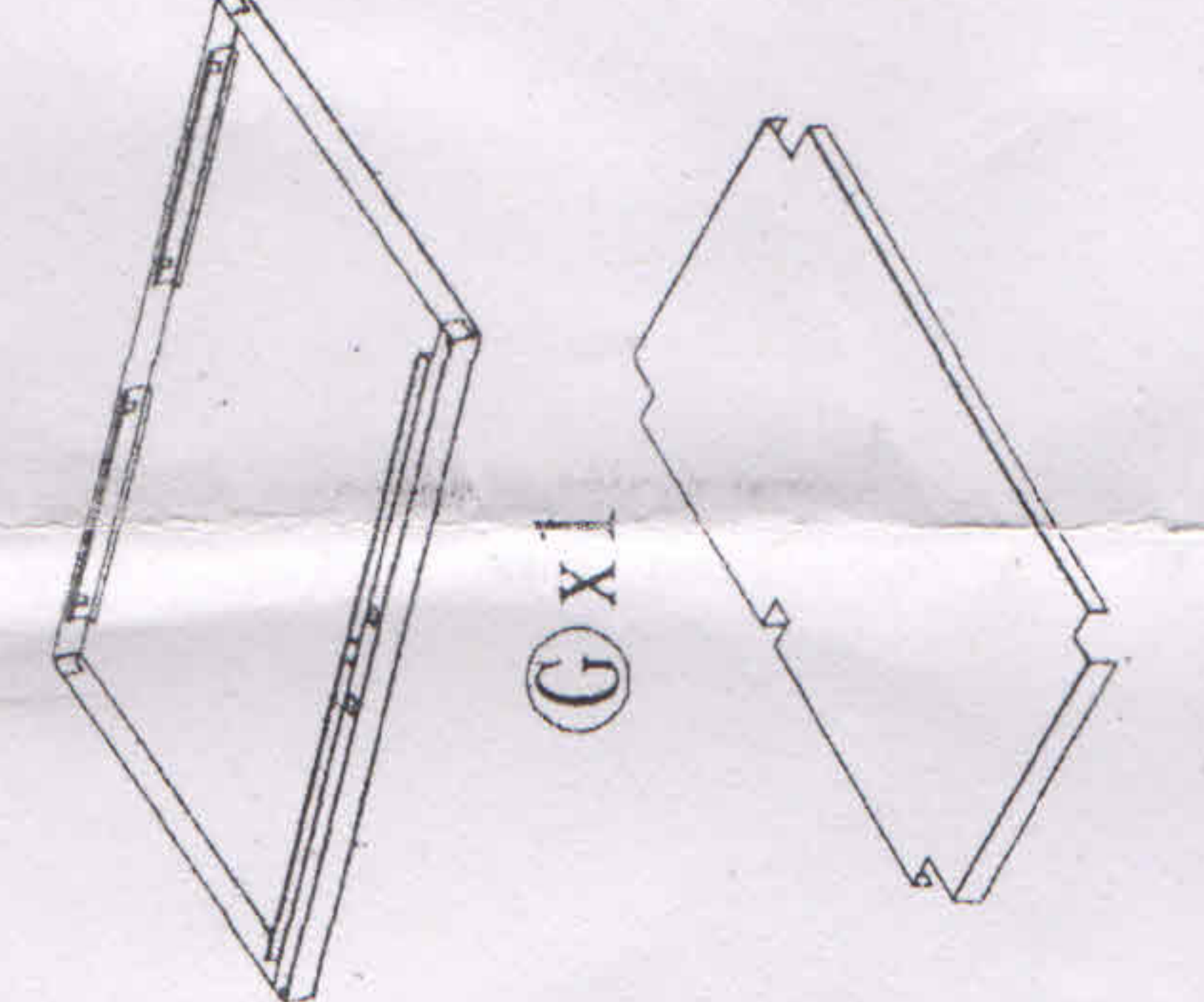
D x1



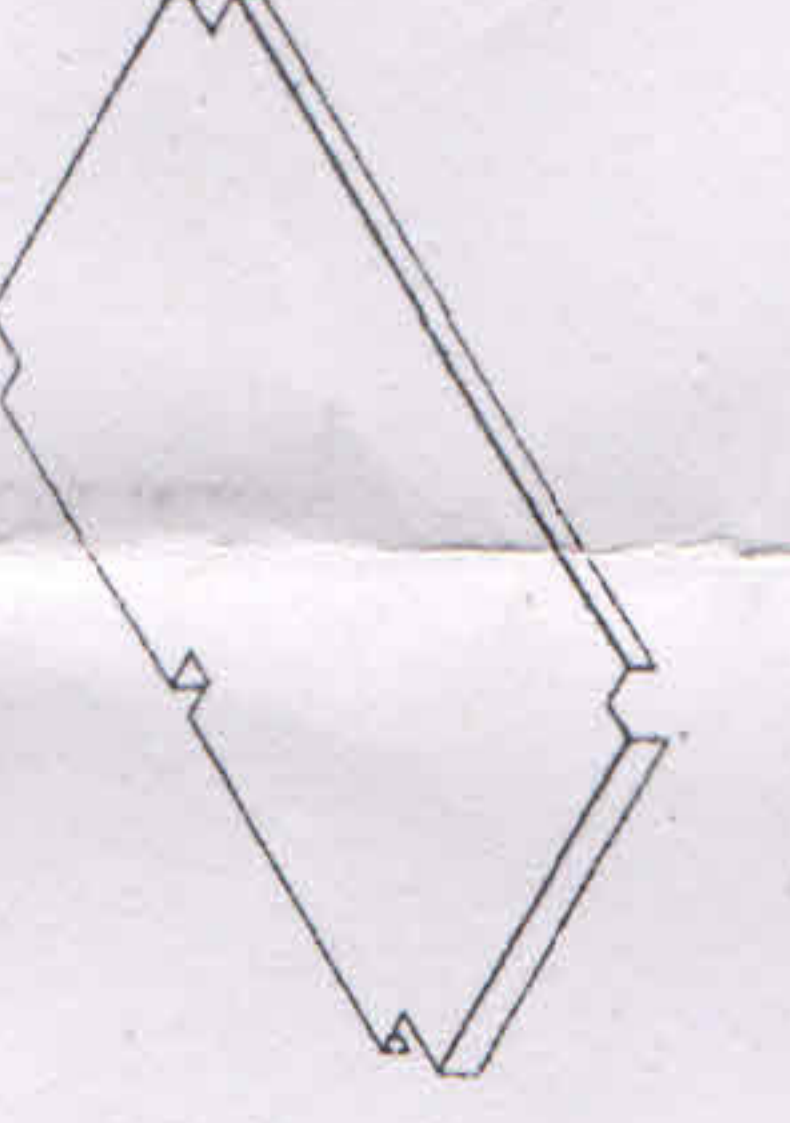
E x1



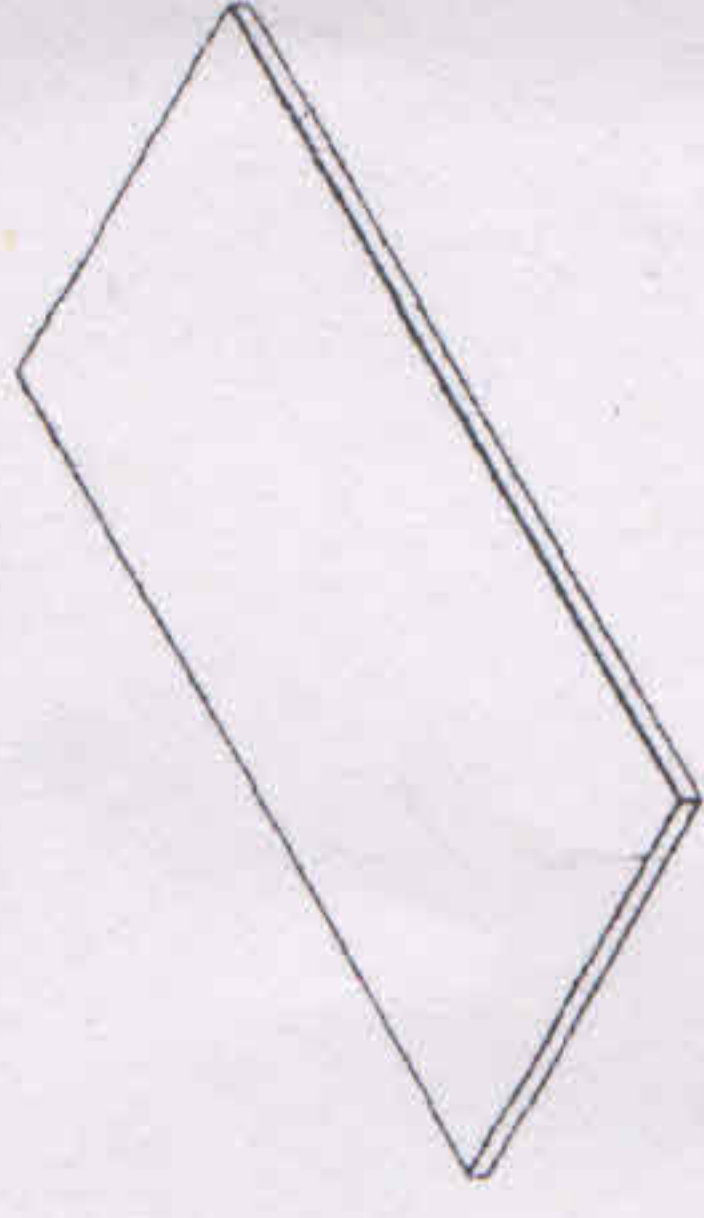
F x1



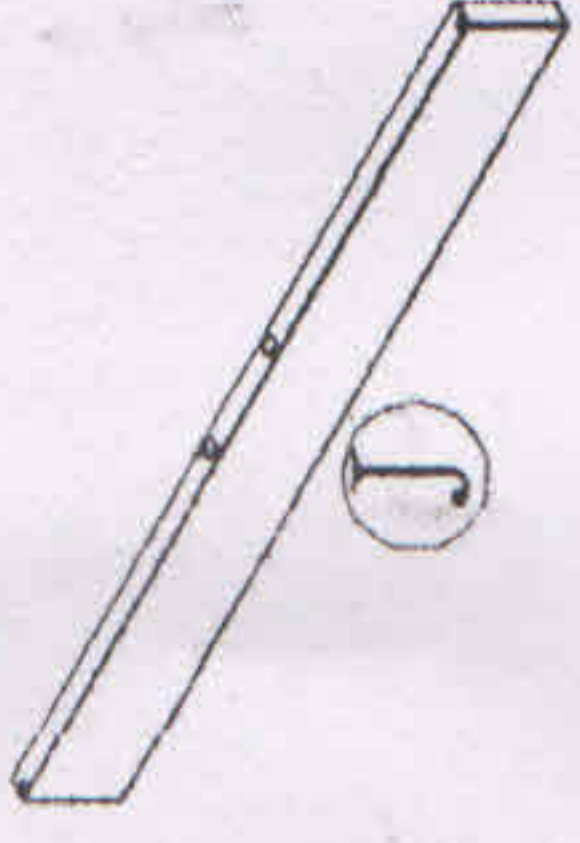
G x1



H x1



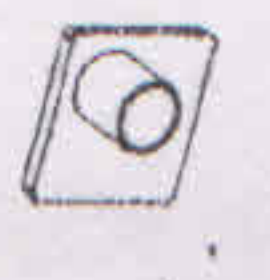
I x2



J x1



K x4



M x4



O x4



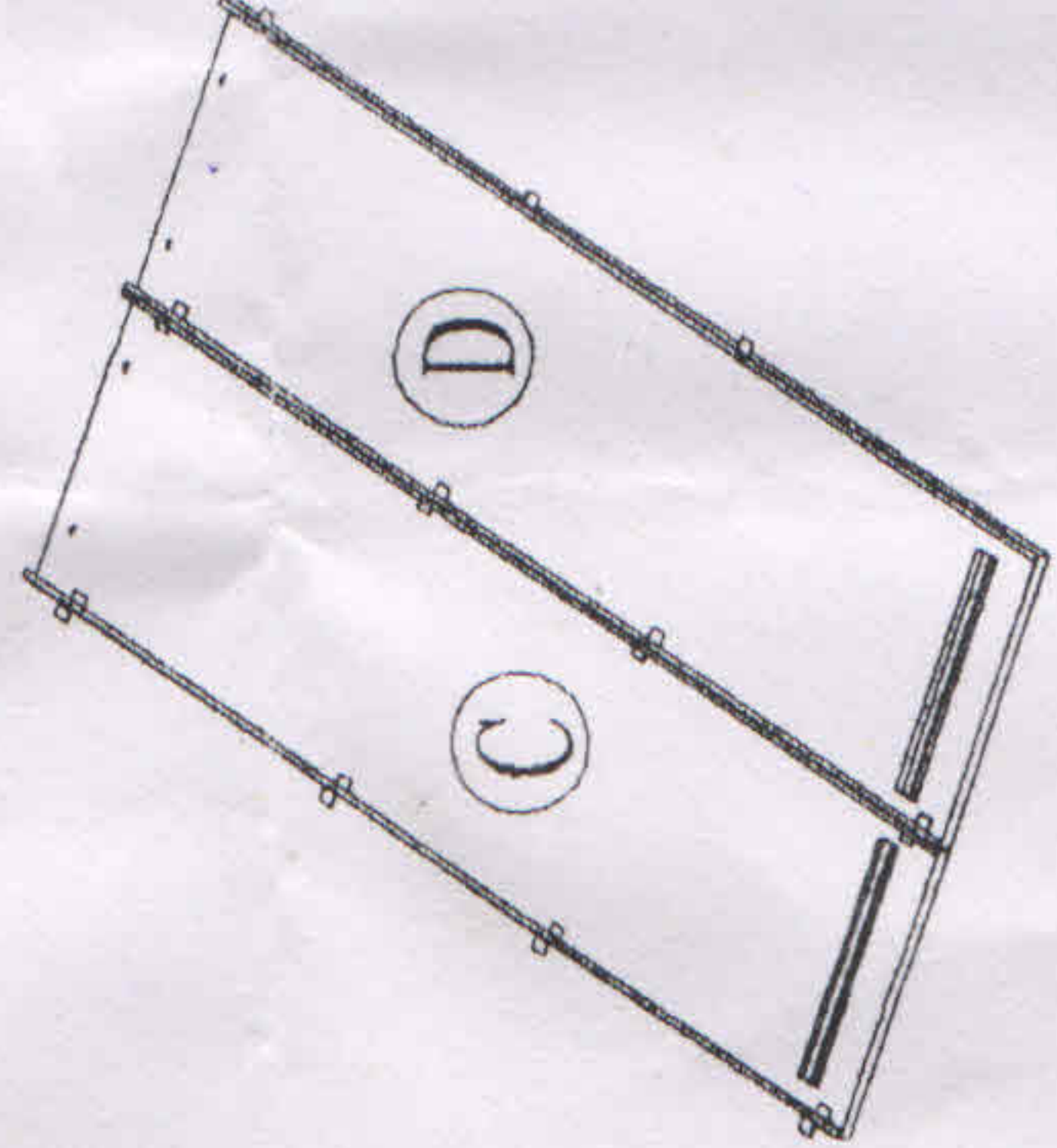
L x4



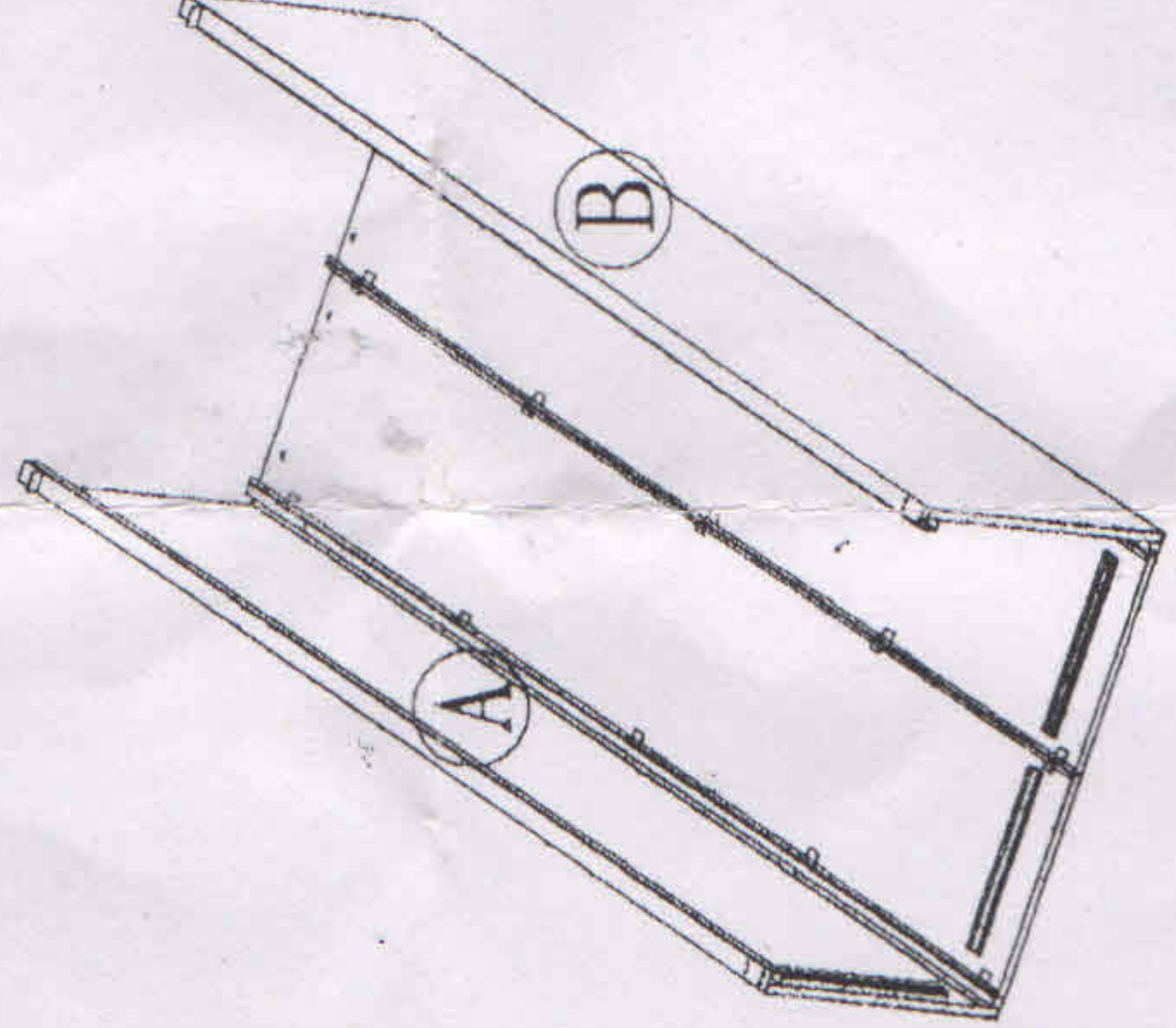
N x4



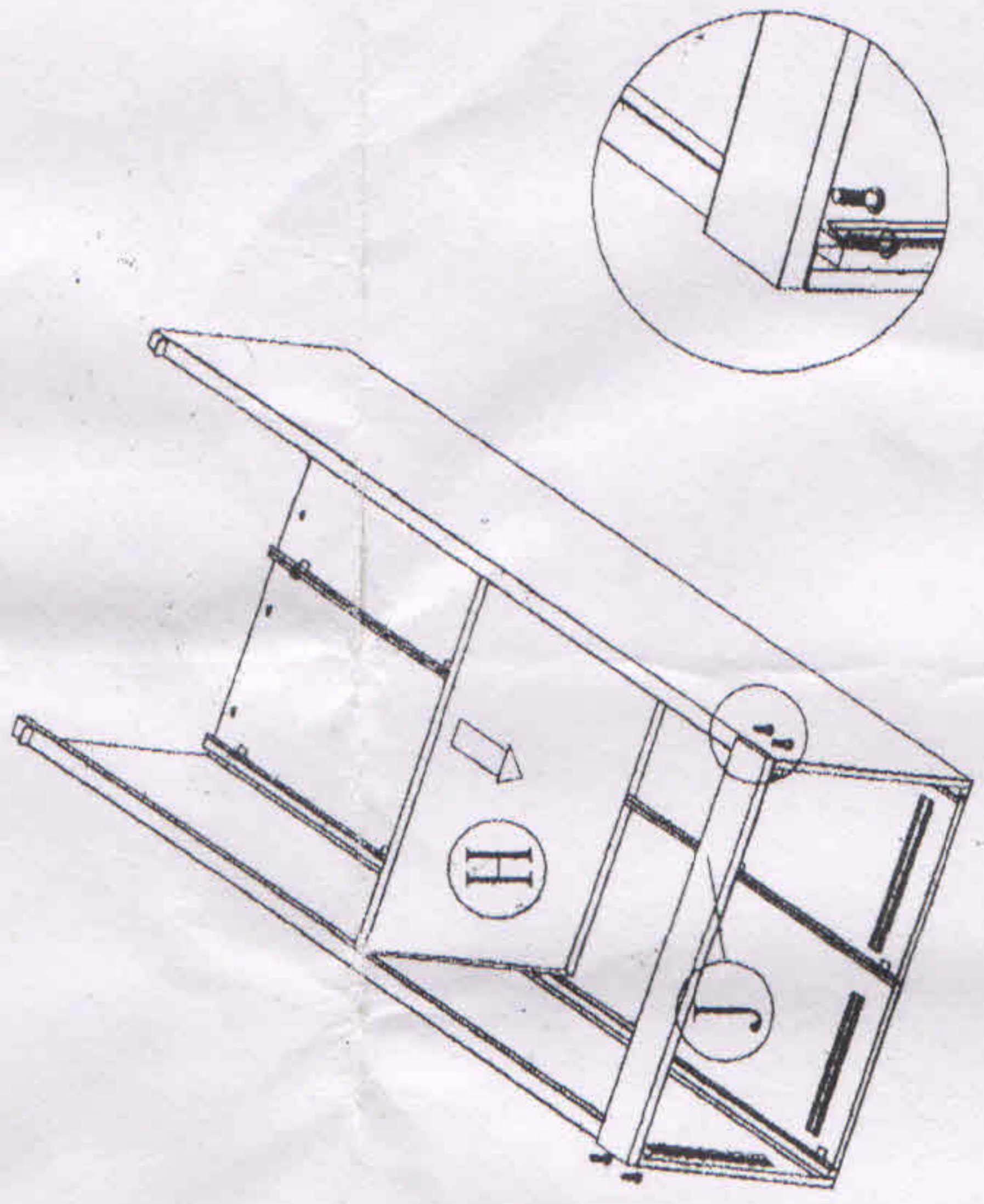
P x8



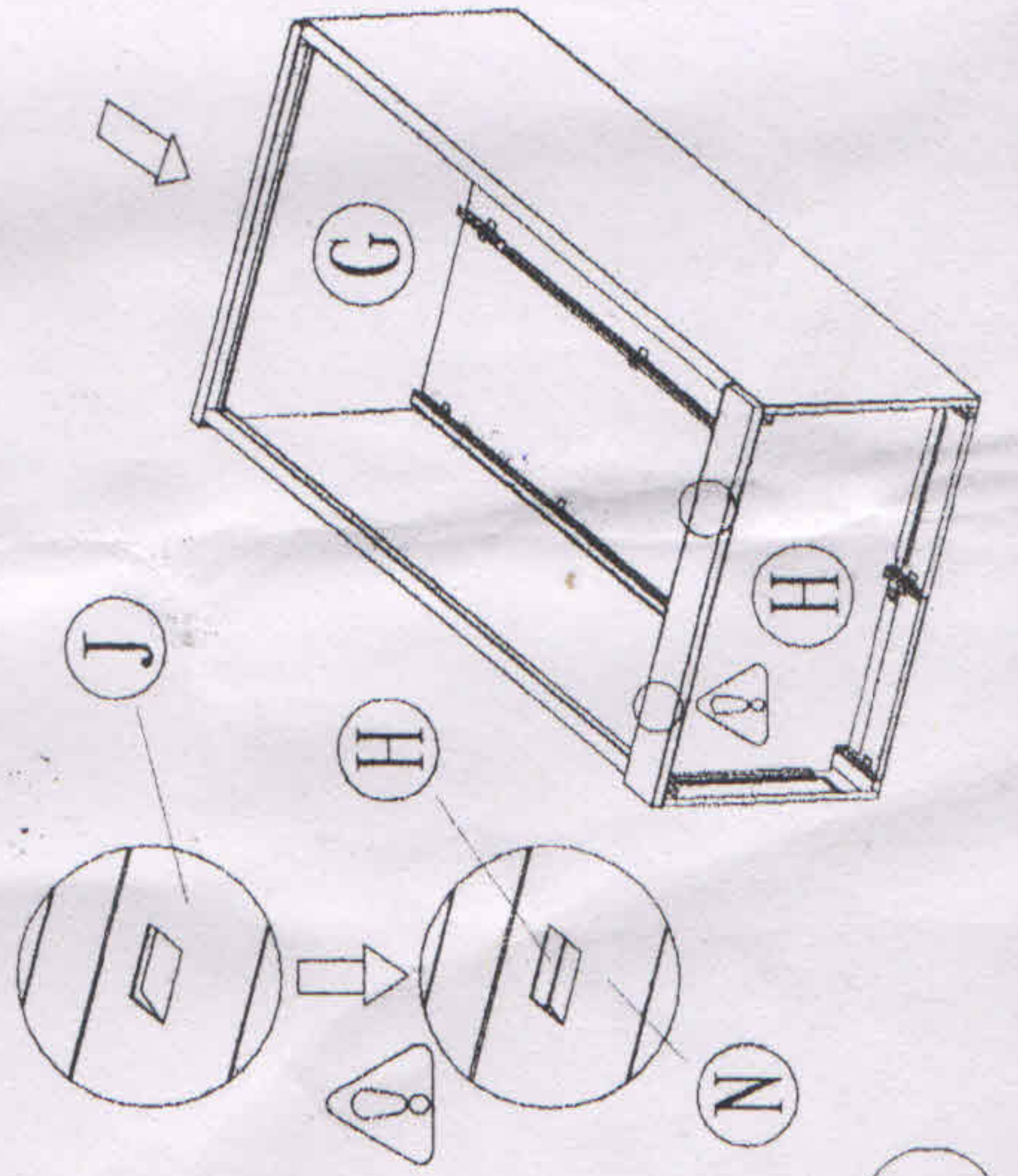
1



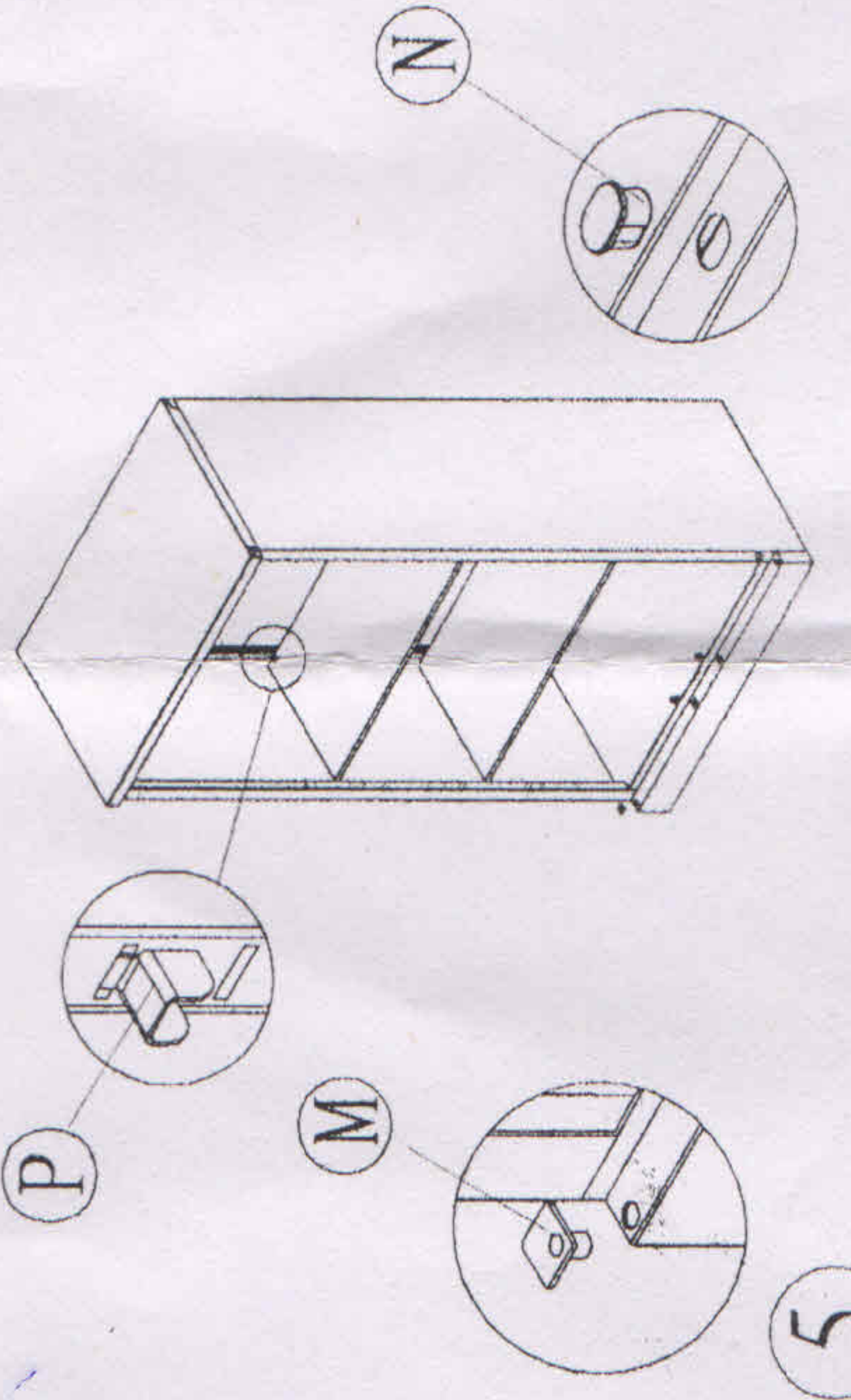
2



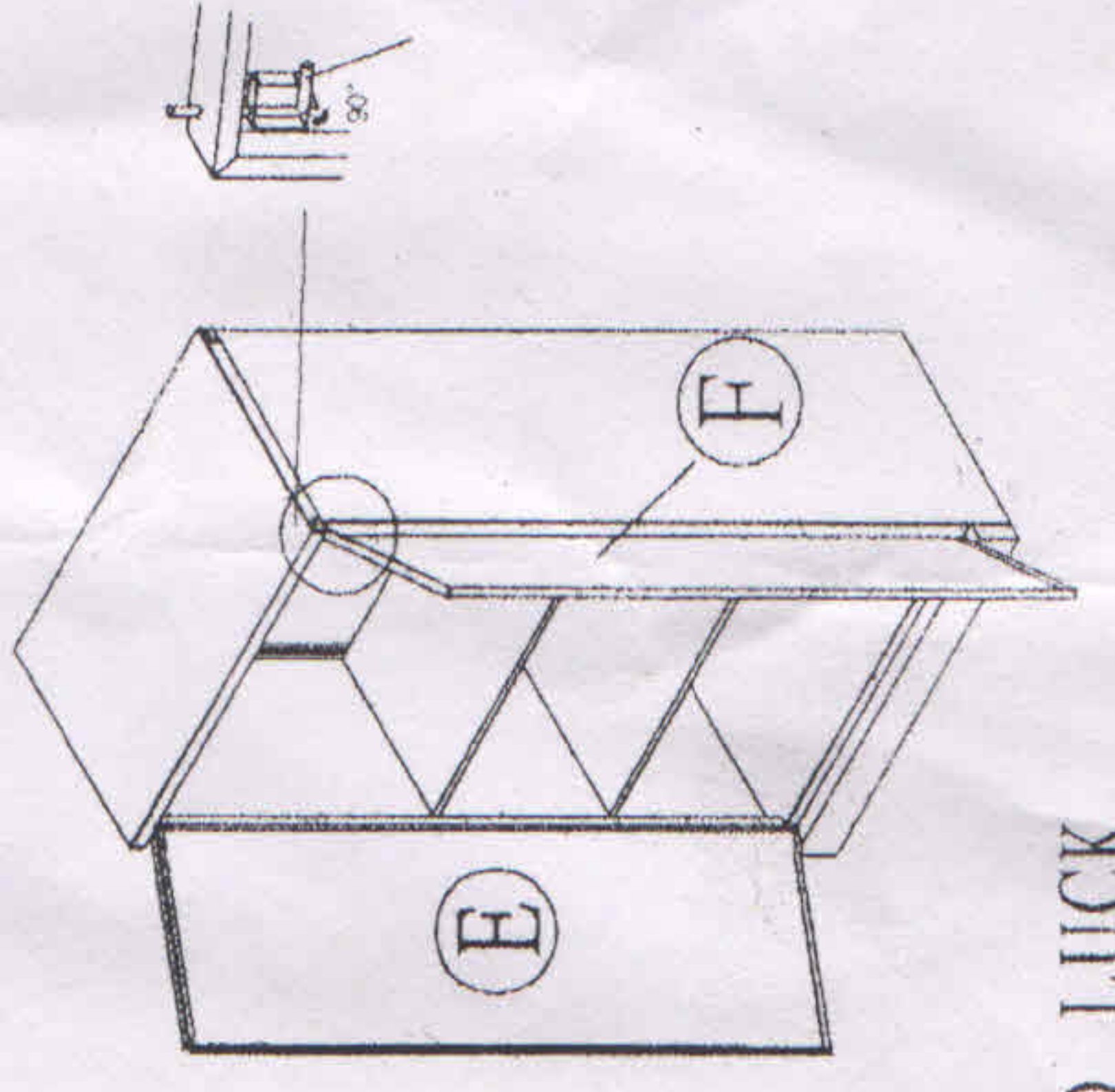
3



4



5



6

GOOD LUCK